

Directions for Setting the Price on VR-10 Computers

From \$0.000 to \$0.999 (1/10¢ Price Increment)

- 1) Set price wheels by positioning and fully engaging range arms (see Figure 1).
- 2) Move dollar shift lever to "central" position (see Figure 2).
- 3) Set price range shift lever in the "L" or "1/10" position (see Figure 3).
- 4) Dollar drive shaft vertical pin stays in place (see Figure 4).
- 5) Color coded idler gears not engaged (see Figure 5).
- 6) Dollar price wheel should be in "blank" position. If not, remove cotter pin, lift wheel, turn into position, lower wheel, and replace cotter pin.

From \$1.000 to \$1.999 (1/10¢ Price Increment)

- 1) Set price wheels by positioning and fully engaging range arms (see Figure 1).
- 2) Move dollar shift lever to "100" position (see Figure 2).
- 3) Set price range shift lever in the "L" or "1/10" position (see Figure 3).
- 4) Dollar drive shaft vertical pin stays in place (see Figure 4).
- 5) Color coded idler gears not engaged (see Figure 5).
- 6) Dollar price wheel should be in "1" position. If not, remove cotter pin, lift wheel, turn into position, lower wheel, replace cotter pin.

From \$2.000 to \$2.999 (1/10¢ Price Increment)

- 1) Set price wheels by positioning and fully engaging range arms (see Figure 1).
- 2) Move dollar shift lever to "200" position (see Figure 2).
- 3) Set price range shift lever in the "L" or "1/10" position (see Figure 3).
- 4) Dollar drive shaft vertical pin stays in place (see Figure 4).
- 5) Color coded idler gears not engaged (see Figure 5).
- 6) Dollar price wheel should be in "2" position. If not, remove cotter pin, lift wheel, turn into position, lower wheel, replace cotter pin.

From \$3.000 to \$3.999 (1/10¢ Price Increment)

- 1) Set price wheels by positioning and fully engaging range arms (see Figure 1).
- 2) Move dollar shift lever to "200" position (see Figure 2).
- 3) Set price range shift lever in the "L" or "1/10" position (see Figure 3).
- 4) Remove dollar drive shaft vertical pin (see Figure 4 on page 3 and photos on page 4).
- 5) White color coded gear engaged (see Figure 6).
Detail: Remove cotter pin. Remove gear group. Remove washer. Install white gear onto green gear. Install black gear, hub side down, onto green gear. Install red gear, hub side up, onto green gear. Install gear group on shaft. Install washer. Install cotter pin.
- 6) Move dollar price wheel to "3" position.
Detail: Remove cotter pin, lift wheel, turn into position, lower wheel, replace cotter pin.



PMP CORPORATION
P.O. Box 422 - 25 Security Drive
Avon, CT 06001

Local: 860-677-9656
Toll Free: 800-243-6628
Toll Free Fax: 888-674-0196
Web: www.pmp-corp.com
E-mail: sales@pmp-corp.com



© PMP CORP

A Veteran Owned and Managed Company

From \$4.000 to \$4.999 (1/10¢ Price Increment)

- 1) Set price wheels by positioning and fully engaging range arms (see Figure 1).
- 2) Move dollar shift lever to "200" position (see Figure 2).
- 3) Set price range shift lever in the "L" or "1/10" position (see Figure 3).
- 4) Remove dollar drive shaft vertical pin (see Figure 4 on page 3 and photos page 4).
- 5) Red color coded gear engaged (see Figure 7).
Detail: Remove cotter pin. Remove gear group. Remove washer. Restack red then black gears upside down on green gear. Install white gear on black gear. Install gear group on shaft. Install washer. Install cotter pin.
- 6) Move dollar price wheel to "4" position.
Detail: Remove cotter pin, lift wheel, turn into position, lower wheel, replace cotter pin.

From \$5.000 to \$5.999 (1/10¢ Price Increment)

- 1) Set price wheels by positioning and fully engaging range arms (see Figure 1).
- 2) Move dollar shift lever to "200" position (see Figure 2).
- 3) Set price range shift lever position to the "L" or "1/10" position (see Figure 3).
- 4) Remove dollar drive shaft vertical pin (see Figure 4 on page 3 and photos page 4).
- 5) Black color coded gear engaged (see Figure 8).
Detail: Remove cotter pin. Remove gear group. Remove washer. Install black gear group upside down on green gear. Install white then red gears on black gear. Install gear group on shaft. Install washer. Install cotter pin.
- 6) Move dollar price wheel to "5" position.
Detail: Remove cotter pin, lift wheel, turn into position, lower wheel, replace cotter pin.

From \$0.00 to \$9.99 (1¢ Price Increment)

- 1) Set price wheels by positioning and fully engaging range arms (see Figure 1).
- 2) Move dollar shift lever to "central" position (see Figure 2).
- 3) Set price range shift lever clockwise in the "H" position or "1" position (see Figure 3).
- 4) Dollar drive shaft vertical pin stays in place (see Figure 4 on page 3 & photos on page 4).
- 5) Color coded idler gears not engaged (see Figure 5).
- 6) Move dollar price wheel to "blank" position.
Detail: Remove cotter pin, lift wheel, turn into position, lower wheel, replace cotter pin.

All product or company's names, trade names, trademarks, parts numbers and part descriptions may be the trademarks of their respective owners, and are used for reference or identification purposes only. PMP does not claim any right to or affiliation with such owners. The PMP product described here is manufactured or remanufactured and sold by PMP and is not the product of any other identified manufacturer.



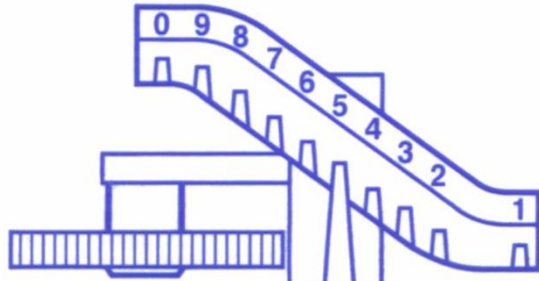


FIGURE 1

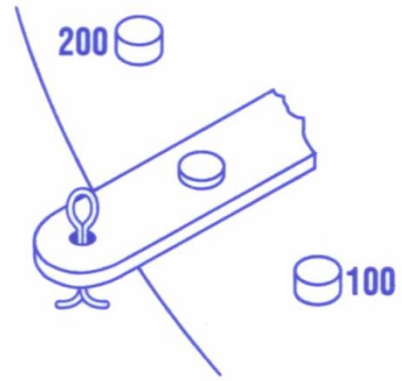


FIGURE 2

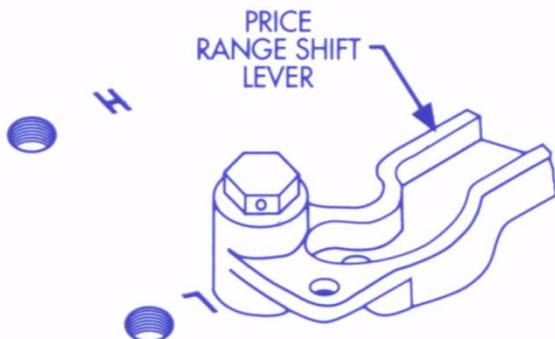


FIGURE 3

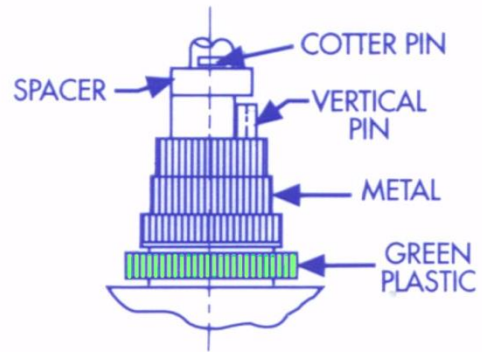
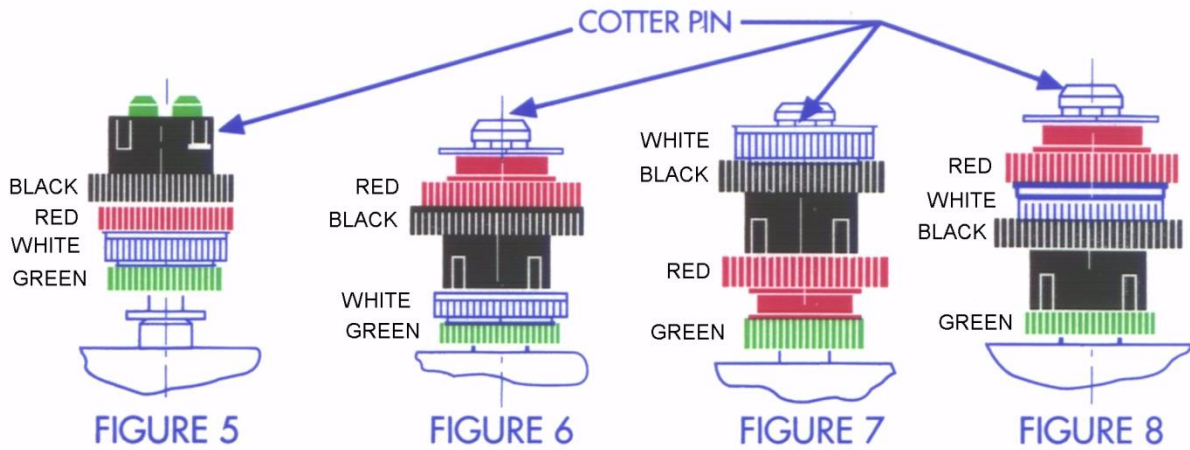


FIGURE 4



All product or company's names, trade names, trademarks, parts numbers and part descriptions may be the trademarks of their respective owners, and are used for reference or identification purposes only. PMP does not claim any right to or affiliation with such owners. The PMP product described here is manufactured or remanufactured and sold by PMP and is not the product of any other identified manufacturer.



PMP CORPORATION
P.O. Box 422 - 25 Security Drive
Avon, CT 06001

A Veteran Owned and Managed Company

Local: 860-677-9656
Toll Free: 800-243-6628
Toll Free Fax: 888-674-0196
Web: www.pmp-corp.com
E-mail: sales@pmp-corp.com



© PMP CORP