

## Directions for Setting Price on VR-10/4 Computers

### From \$0.000 to \$0.999 (1/10¢ Price Increment)

- 1) Set price wheels by positioning and fully engaging range arms. (see Figure 1).
- 2) Move dollar shift lever to "central" position. (see Figure 2).
- 3) Set price range shift lever in the "H" or "1" position. (see Figure 3).
- 4) Dollar drive shaft vertical pin stays in place. (see Figure 4).
- 5) Color coded idler gears not engaged. (see Figure 5).
- 6) Dollar price wheel should be in "blank" position. If not, remove cotter pin, lift wheel, turn into position, lower wheel, replace cotter pin.

### From \$1.000 to \$1.999 (1/10¢ Price Increment)

- 1) Set price wheels by positioning and fully engaging range arms. (see Figure 1).
- 2) Move dollar shift lever to "100" position. (see Figure 2).
- 3) Set price range shift lever in the "H" or "1" position. (see Figure 3).
- 4) Dollar drive shaft vertical pin stays in place. (see Figure 4).
- 5) Color coded idler gears not engaged. (see Figure 5).
- 6) Dollar price wheel should be in "1" position. If not, remove cotter pin, lift wheel, turn into position, lower wheel, replace cotter pin.

### From \$2.000 to \$2.999 (1/10¢ Price Increment)

- 1) Set price wheels by positioning and fully engaging range arms. (see Figure 1).
- 2) Move dollar shift lever to "200" position. (see Figure 2).
- 3) Set price range shift lever in the "H" or "1" position. (see Figure 3).
- 4) Dollar drive shaft vertical pin stays in place. (see Figure 4).
- 5) Color coded idler gears not engaged. (see Figure 5).
- 6) Dollar price wheel should be in "2" position. If not, remove cotter pin, lift wheel, turn into position, lower wheel, replace cotter pin.

### From \$3.000 to \$3.999 (1/10¢ Price Increment)

- 1) Set price wheels by positioning and fully engaging range arms. (see Figure 1).
- 2) Move dollar shift lever to "200" position. (see Figure 2).
- 3) Set price range shift lever in the "H" OR "1" position. (see Figure 3).
- 4) Remove dollar drive shaft vertical pin. (see Figure 4 on page 2 & photos on page 3).
- 5) White color coded gear engaged. (see Figure 6).  
Detail: Remove cotter pin. Remove gear group. Remove washer. Remove black and red gears. Install black gear upside down on white gear. Install red gear on black gear. Install gear group on shaft. Install washer. Install cotter pin.
- 6) Move dollar price wheel to "3" position.  
Detail: Remove cotter pin, lift wheel, turn into position, lower wheel, replace cotter pin.



PMP CORPORATION  
P.O. Box 422 • 25 Security Drive  
Avon, CT 06001

Local Tel: 860-677-9656  
Local Fax: 860-674-0196  
Email: [sales@pmp-corp.com](mailto:sales@pmp-corp.com)  
Web: [www.pmp-corp.com](http://www.pmp-corp.com)



© PMP Corp

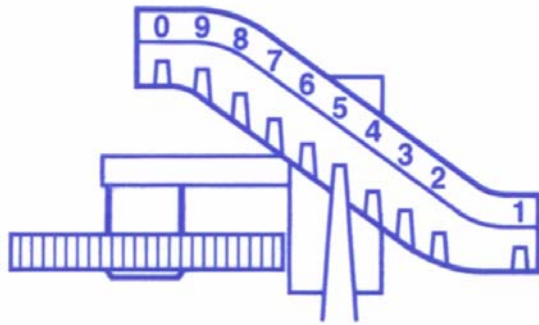


FIGURE 1

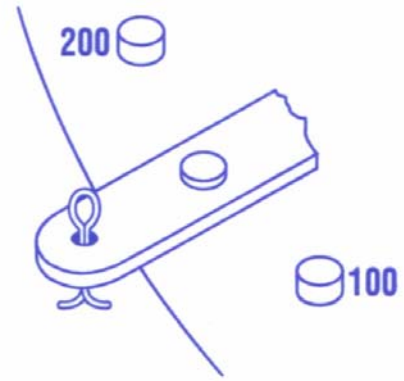


FIGURE 2

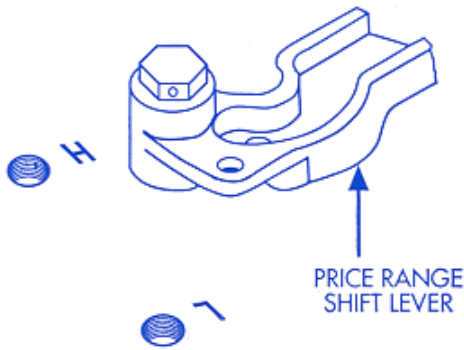


FIGURE 3

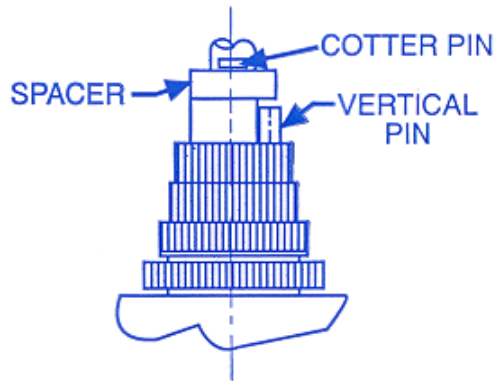
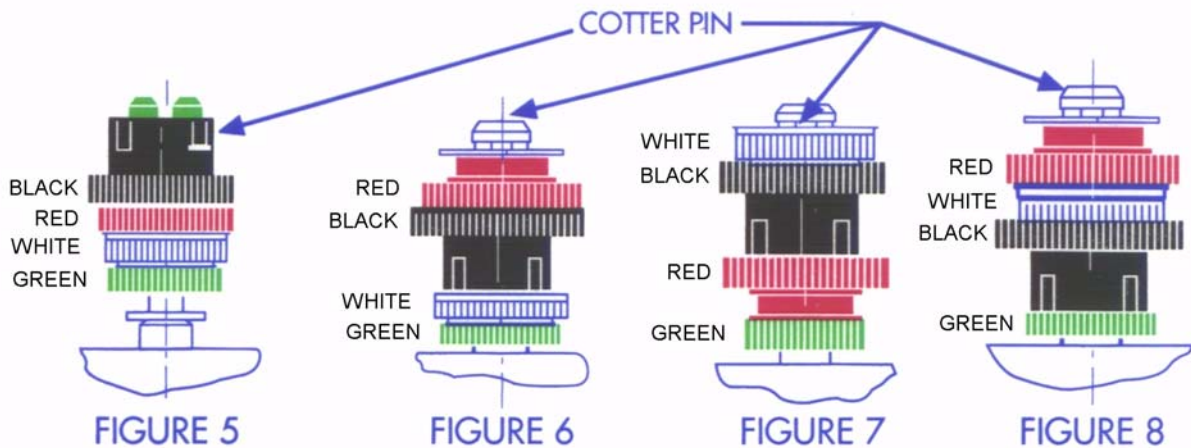


FIGURE 4



**PMP CORPORATION**  
 P.O. Box 422 • 25 Security Drive  
 Avon, CT 06001

Local Tel: 860-677-9656  
 Local Fax: 860-674-0196  
 Email: [sales@pmp-corp.com](mailto:sales@pmp-corp.com)  
 Web: [www.pmp-corp.com](http://www.pmp-corp.com)



© PMP Corp

IMPORTANT NOTICE: Computers are shipped with price set at \$2.111 per gallon.

If you raise the price to \$3.000 or higher from any price \$2.999 and lower, make sure you perform Step #4 of the instructions:

**STEP #4: "REMOVE DOLLAR DRIVE SHAFT VERTICAL PIN"**

The computer will jam if the Vertical Pin is not removed

(Continue with Step #5 of the price setting instructions)

Note: Save the vertical pin. It must be re-installed for prices \$2.999 and lower.



Remove cotter pin above spacer



Lift spacer, remove Dollar Drive Shaft Vertical Pin



Lower spacer, re-install cotter pin

