



PMP Rapid-Fire™ Pulsar Installation Instructions **PMP #48501**



**These instructions are to be used when installing
a PMP Rapid-Fire Pulsar.**

INTRODUCTION

The Rapid-Fire Pulsar is an intrinsically safe, easy to install pulsing device for use with most VR-10 computers or non-computers.

The Rapid-Fire Pulsar can interface with any electronic console pulse circuit from 5 to 400 VAC/DC, with a current requirement not exceeding 100 mA.

The intrinsically safe feature of the Rapid-Fire Pulsar eliminates the need to install conduit or M.I. cable and therefore significantly reduces installation time and cost.

WARNING: Before installing the Rapid-Fire Pulser, turn OFF all circuit breakers that control power to the dispenser to be serviced. Take adequate precautions to prevent circuit breakers from being turned on until all work has been completed. More than one circuit breaker may have to be turned OFF to completely disconnect the power. Failure to comply with this warning could result in serious personal injury, equipment damage, property damage and even death.

The PMP Rapid-Fire Pulser consists of two components: The barrier, which is connected to the dispenser's junction box, and the sensor that mounts on the computer.

Contents



- 1 — Barrier hardwired to Sensor
- 1 — Slotted screw
- 1 — Washer
- 3 — Cable ties
- 4 — Wire nuts
- 1 — Installation instructions

Tools needed



- 1 — Flat blade screwdriver
- 1 — Channel Lock pliers
- 1 — Torx T20 screwdriver
- 1 — Wire-cutters to trim tie wraps

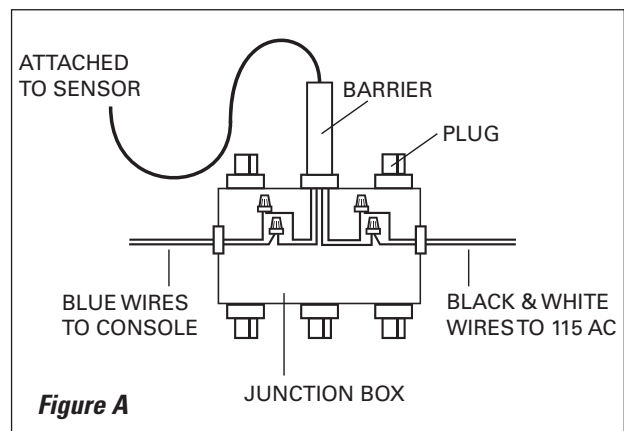
Rapid-Fire Barrier Installation (Refer to Figure A)

1. Turn off all power to the dispenser.
2. Remove dispenser junction box cover.
3. Remove a plug from a 3/4" NPT location that will allow clearance for the 6" length of the barrier.
4. Install the barrier by screwing it into a 3/4" hole at least five (5) full turns.
5. Attach the black and white barrier wires to a "switched" 110 VAC circuit. The solenoid, pump motor or electric reset circuits are suitable options.

The circuit must be "hot" when the dispenser is in use and "dead" when the operating handle is turned off.

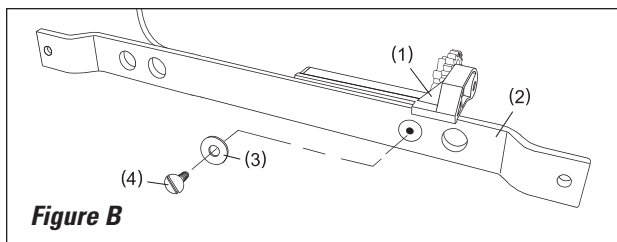
NOTE: This step must be performed properly. The pulser must be connected to a circuit which will turn off between sales to maintain accuracy and ensure reliable operation.

6. Attach the blue barrier wires to the "pulse circuit" from the console. (These wires are interchangeable.)
7. Re-install the junction box cover.

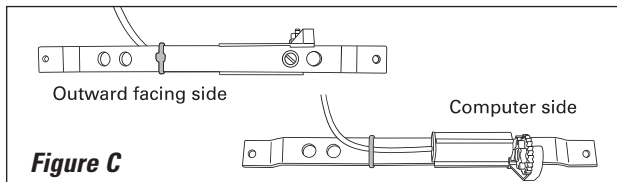


Rapid-Fire Sensor Installation (Refer to Figure B)

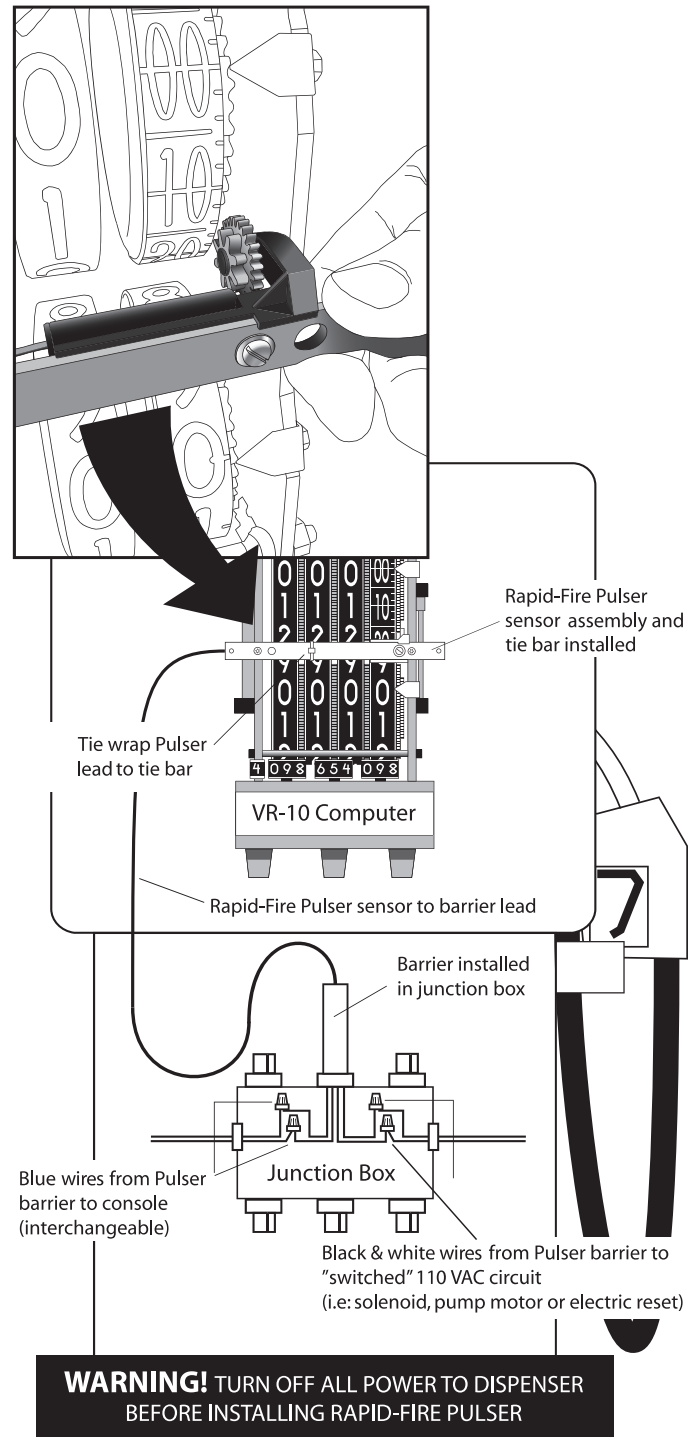
1. Remove all panels; face plates, etc., to completely expose the rear (non-totalizer side) of the computer.
2. Remove the two Torx T20 screws that fasten the rear tie bar (#2) located between the wheel banks in the counter section of the computer (below the upper wheel bank in non-computers).
3. Assemble the sensor housing assembly (#1) onto tie bar (#2) as shown in Figure B. Be sure that the boss on the sensor inserts into the large hole closest to the center of the bar.



4. Locate the washer (#3) and screw (#4) that are provided in the Rapid-Fire Pulser kit. Fasten the sensor to the tie bar. Caution: Do not over tighten the screw.
5. Tie wrap the cable coming from the sensor to the tie bar. (Refer to Figure C)



6. Route the sensor cable out of the computer to the barrier. Do not route it near other wires or near sharp metal edges (such as computer wheels).
7. Reattach the tie bar (#2) to the computer with two Torx T20 screws. Be sure that the sensor gear is properly engaged with the wheel drive gear.
8. Check to ensure that the sensor cable does not interfere with the computer wheels, reset mechanism or any other moving component.
9. Tie wrap the cable in at least one location.
10. Reinstall all panels, face plates, etc.
11. Apply power to the dispenser.
12. Test the system by pumping gasoline into an approved container.
13. If you have any questions, call 1-800-243-6628.





Specifications:

Input Voltage Range	Electronic Console Pulse Circuit Range	Operating Temperature	Operating Speed (Computer Wheel)
70 VAC to 130 VAC	5 to 400 VAC / DC	-40°F to +160°F -40°C to +71°C	200 RPM maximum* \$200 per minute

*Rapid-Fire Pulser tested to a speed of 600 RPM

Wiring Connections:

Rapid-Fire Pulser #48501	Black Wire	White Wire	Blue Wire	Blue Wire
115 VAC Pulser	115 VAC Hot	Neutral	Pulser Output	Pulser Output

Other Remanufactured Products Available from PMP

- Cash Drawers
- Credit Card Printers
- Electric Resets
- Journal & Receipt Printers
- Master Duplicators
- Mechanical Computers
- Non-Computers
- Pulsers
- Ticket Printers
- Vapor Recovery Pumps
- Visible Registers

