

Directions for Setting Price on VR-10/4 Computers

From \$0.000 to \$0.999 (1/10¢ Price Increment)

- 1) Set price wheels by positioning and fully engaging range arms. (see Figure 1).
- 2) Move dollar shift lever to "central" position. (see Figure 2).
- 3) Set price range shift lever in the "H" or "1" position. (see Figure 3).
- 4) Dollar drive shaft vertical pin stays in place. (see Figure 4).
- 5) Color coded idler gears not engaged. (see Figure 5).
- 6) Dollar price wheel should be in "blank" position. If not, remove cotter pin, lift wheel, turn into position, lower wheel, replace cotter pin.

From \$1.000 to \$1.999 (1/10¢ Price Increment)

- 1) Set price wheels by positioning and fully engaging range arms. (see Figure 1).
- 2) Move dollar shift lever to "100" position. (see Figure 2).
- 3) Set price range shift lever in the "H" or "1" position. (see Figure 3).
- 4) Dollar drive shaft vertical pin stays in place. (see Figure 4).
- 5) Color coded idler gears not engaged. (see Figure 5).
- 6) Dollar price wheel should be in "1" position. If not, remove cotter pin, lift wheel, turn into position, lower wheel, replace cotter pin.

From \$2.000 to \$2.999 (1/10¢ Price Increment)

- 1) Set price wheels by positioning and fully engaging range arms. (see Figure 1).
- 2) Move dollar shift lever to "200" position. (see Figure 2).
- 3) Set price range shift lever in the "H" or "1" position. (see Figure 3).
- 4) Dollar drive shaft vertical pin stays in place. (see Figure 4).
- 5) Color coded idler gears not engaged. (see Figure 5).
- 6) Dollar price wheel should be in "2" position. If not, remove cotter pin, lift wheel, turn into position, lower wheel, replace cotter pin.

From \$3.000 to \$3.999 (1/10¢ Price Increment)

- 1) Set price wheels by positioning and fully engaging range arms. (see Figure 1).
- 2) Move dollar shift lever to "200" position. (see Figure 2).
- 3) Set price range shift lever in the "H" OR "1" position. (see Figure 3).
- 4) Dollar drive shaft vertical pin removed. (see Figure 4).
- 5) White color coded gear engaged. (see Figure 6).

Detail: Remove cotter pin. Remove gear group. Remove washer. Remove black and red gears. Install black gear upside down on white gear. Install red gear on black gear. Install gear group on shaft. Install washer. Install cotter pin.

- 6) Move dollar price wheel to "3" position.

Detail: Remove cotter pin, lift wheel, turn into position, lower wheel, replace cotter pin.



PMP CORPORATION
P.O. Box 422 • 25 Security Drive
Avon, CT 06001

Local Tel: 860-677-9656
Local Fax: 860-674-0196
Email: sales@pmp-corp.com
Web: www.pmp-corp.com



© PMP Corp

Directions for Setting Price on VR-10/4 Computers

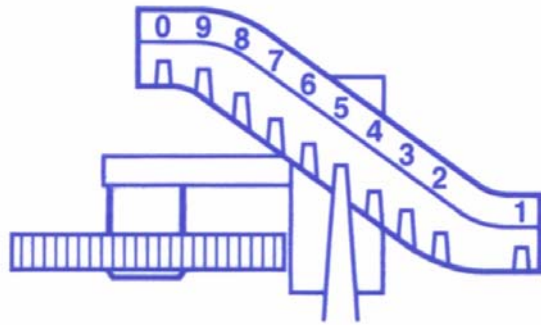


FIGURE 1

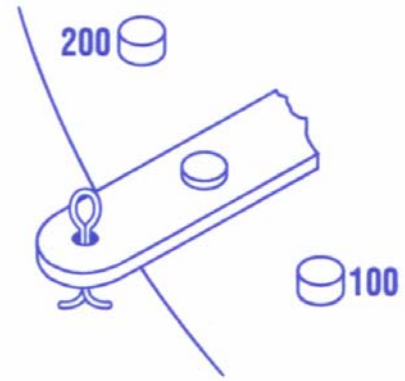


FIGURE 2

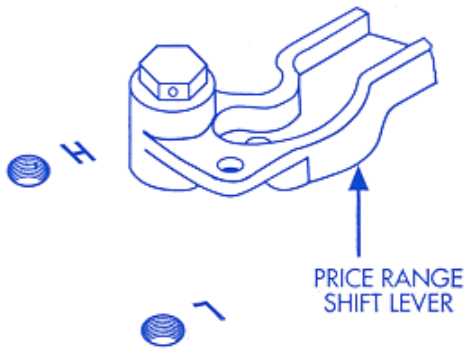


FIGURE 3

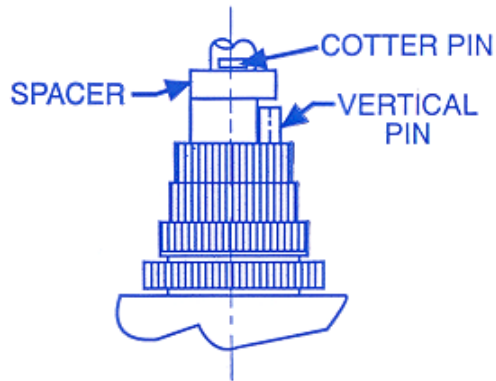
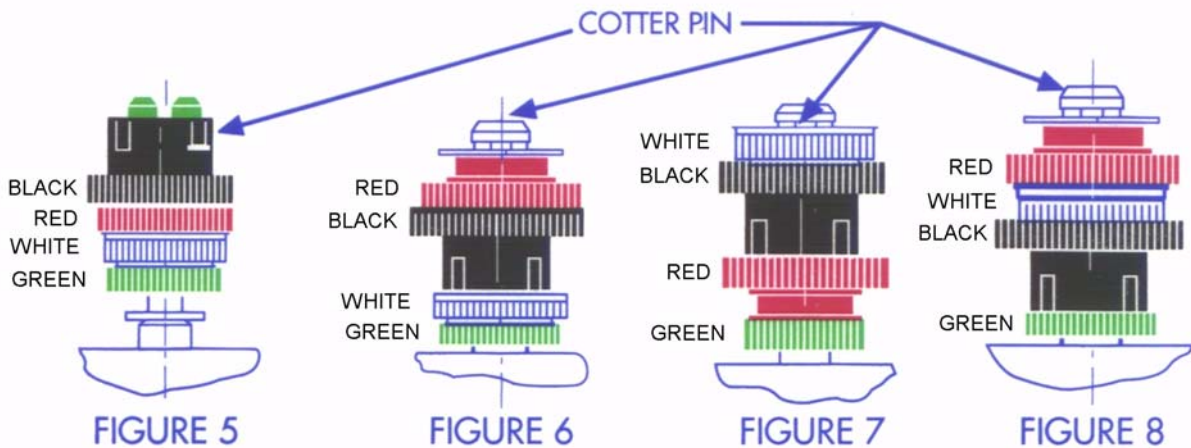


FIGURE 4



PMP CORPORATION
 P.O. Box 422 • 25 Security Drive
 Avon, CT 06001

Local Tel: 860-677-9656
 Local Fax: 860-674-0196
 Email: sales@pmp-corp.com
 Web: www.pmp-corp.com



© PMP Corp